

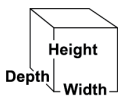
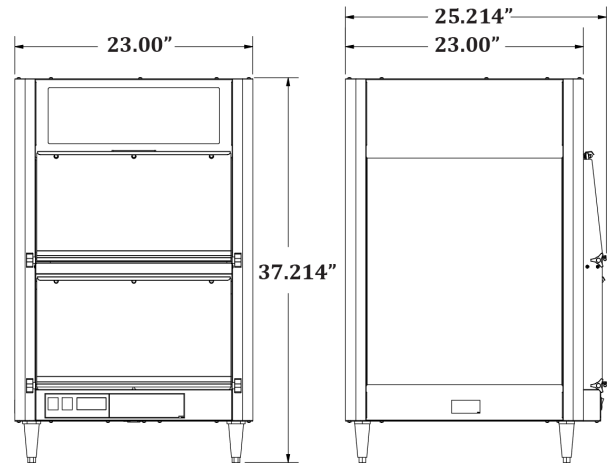


**GOLD MEDAL® PRODUCTS CO.**

# Bulk Holding Cabinet (Popcorn Sign)

Model No. 5889-00-101

## Specifications



### Overall Dimensions:

- Width:** 23" (58.5 cm)
- Depth:** 25.214" (64.1 cm)
- Height:** 37.214" (94.6 cm)

### Features:

- LED Lighted Popcorn Sign
- LED Lighted Cabinet
- Digital Temperature Control

### Electrical - Domestic

120V  
 930 WATTS 60 HZ  
 (NEMA 5-15P) Plug

### Plug Type:



### Agency Approvals:



**Gold Medal Products Co.**  
 10700 Medallion Drive, Cincinnati, OH 45241

Ph: (513) 769-7676, (800) 543-0862; Fax: (513) 769-8500  
 gmpopcorn.com info@gmpopcorn.com